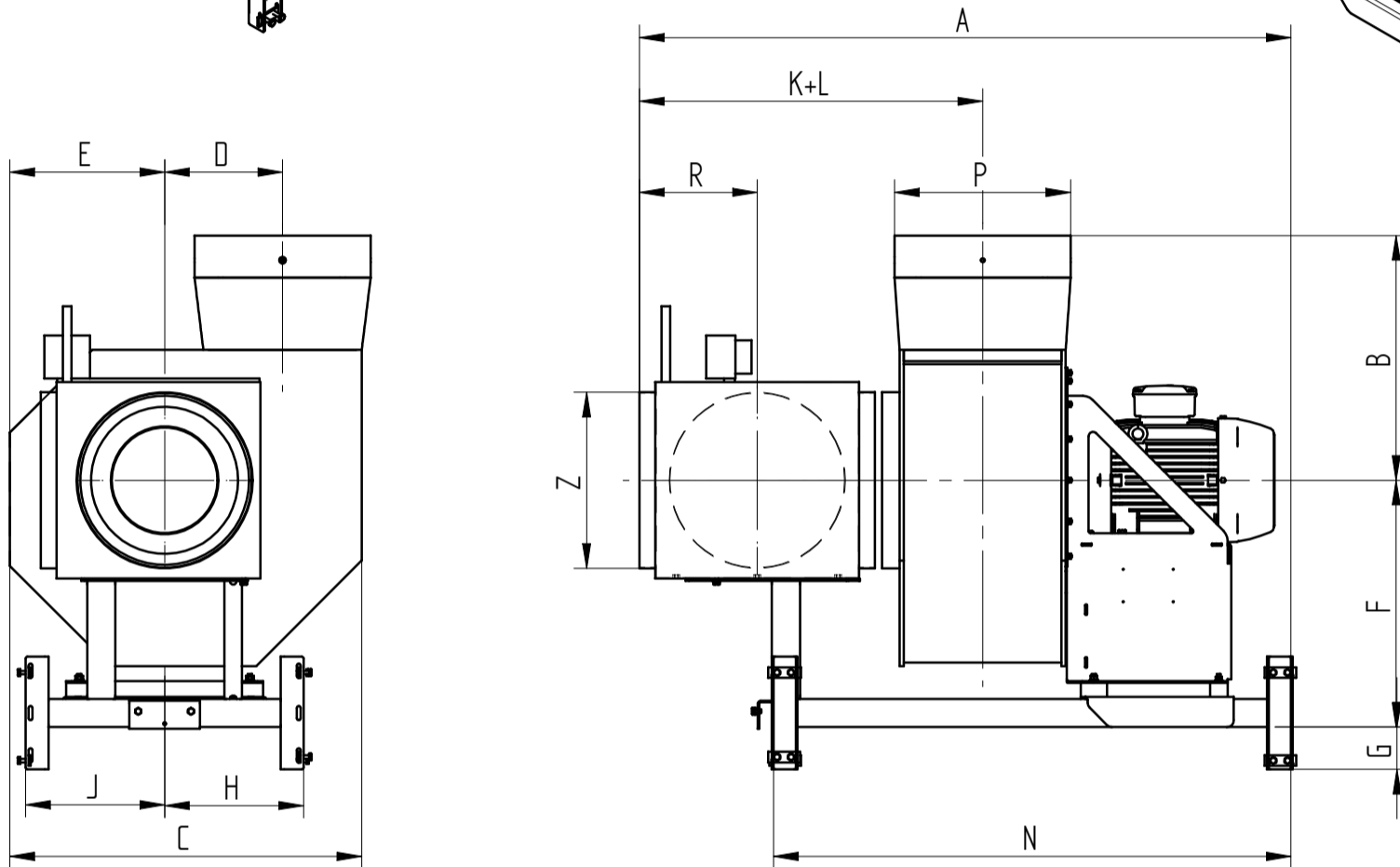
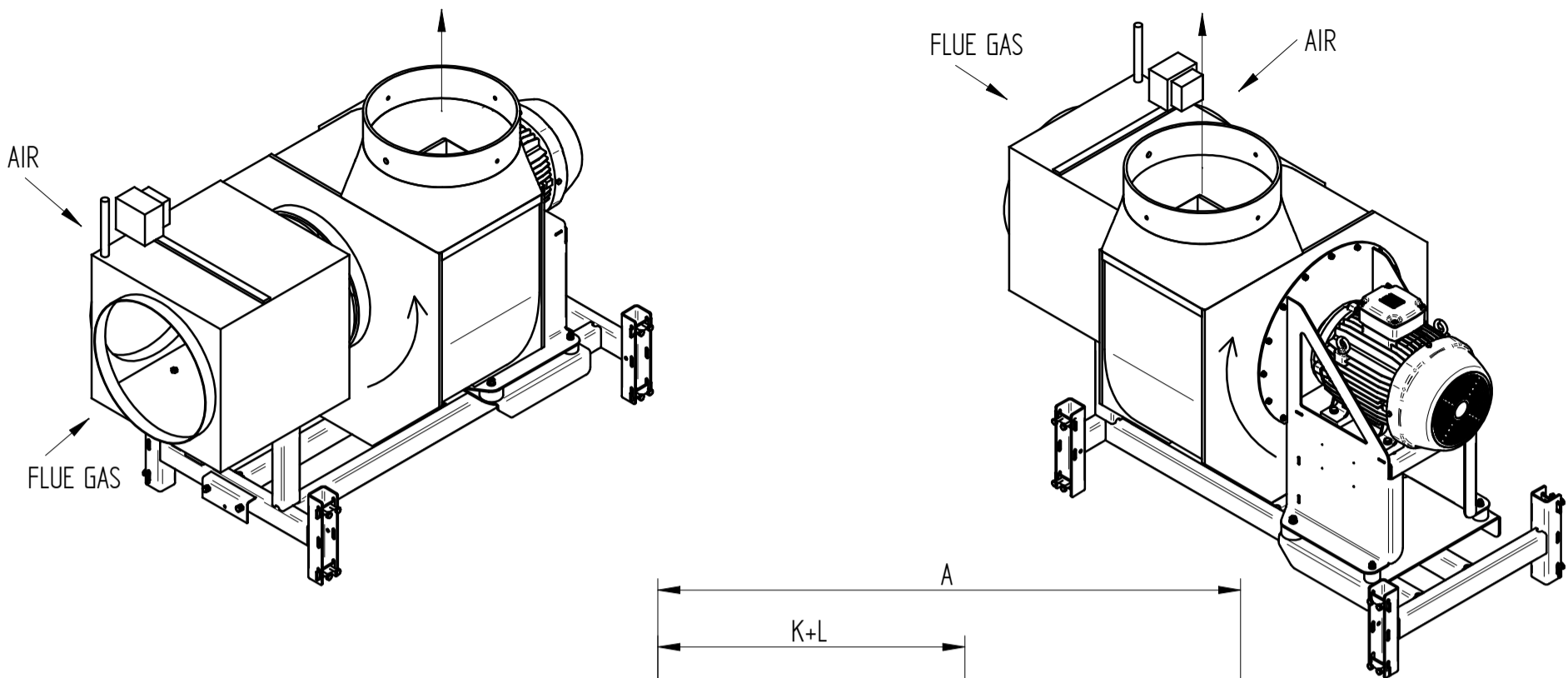


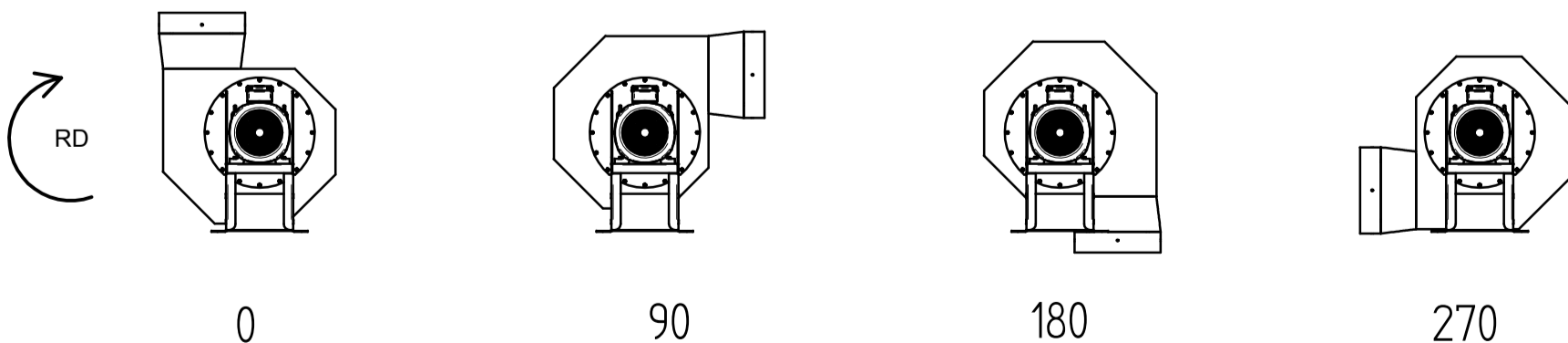
TECHNICAL DATA CO₂-DOSING UNITS

CO₂-UNITS WITH MIXING VALVE TYPE D1 T/M D6 50Hz



Type	A	B	C	D	E	F	G	H	J	K+L	N	ØZ=ØP	R
D1 SL200-11	882	488	607	230	268	501	-	200	200	491	725	200	194
D1 SL200-15	882	488	607	230	268	501	-	200	200	491	725	200	194
D2 SL250-22	994	539	666	230	289	546	-	200	200	550	800	250	217
D3 SL250-30	994	539	666	230	289	546	-	200	200	550	800	250	217
D5 SL315-55	1216	600	822	320	362	616	120	195	215	665	980	315	250
D6 SL400-110	1384	679	903	323	396	686	120	265	265	785	1100	400	294

blower position



Van Dijk Heating b.v.
Regulierering 7
3981 LA Bunnik
Postbus 29
3980CA Bunnik (NL)

van Dijk heating

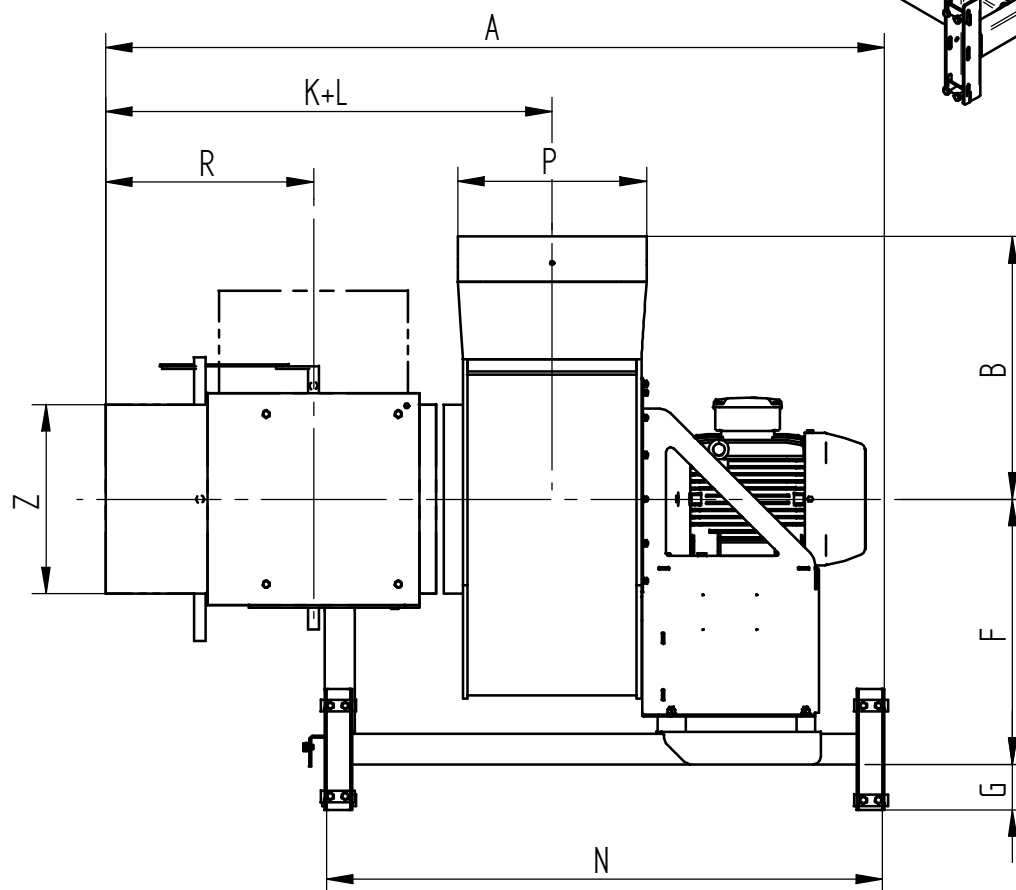
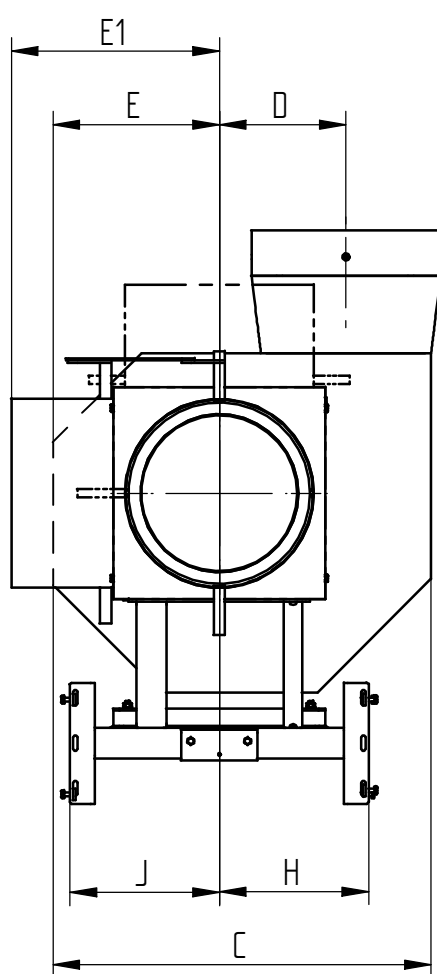
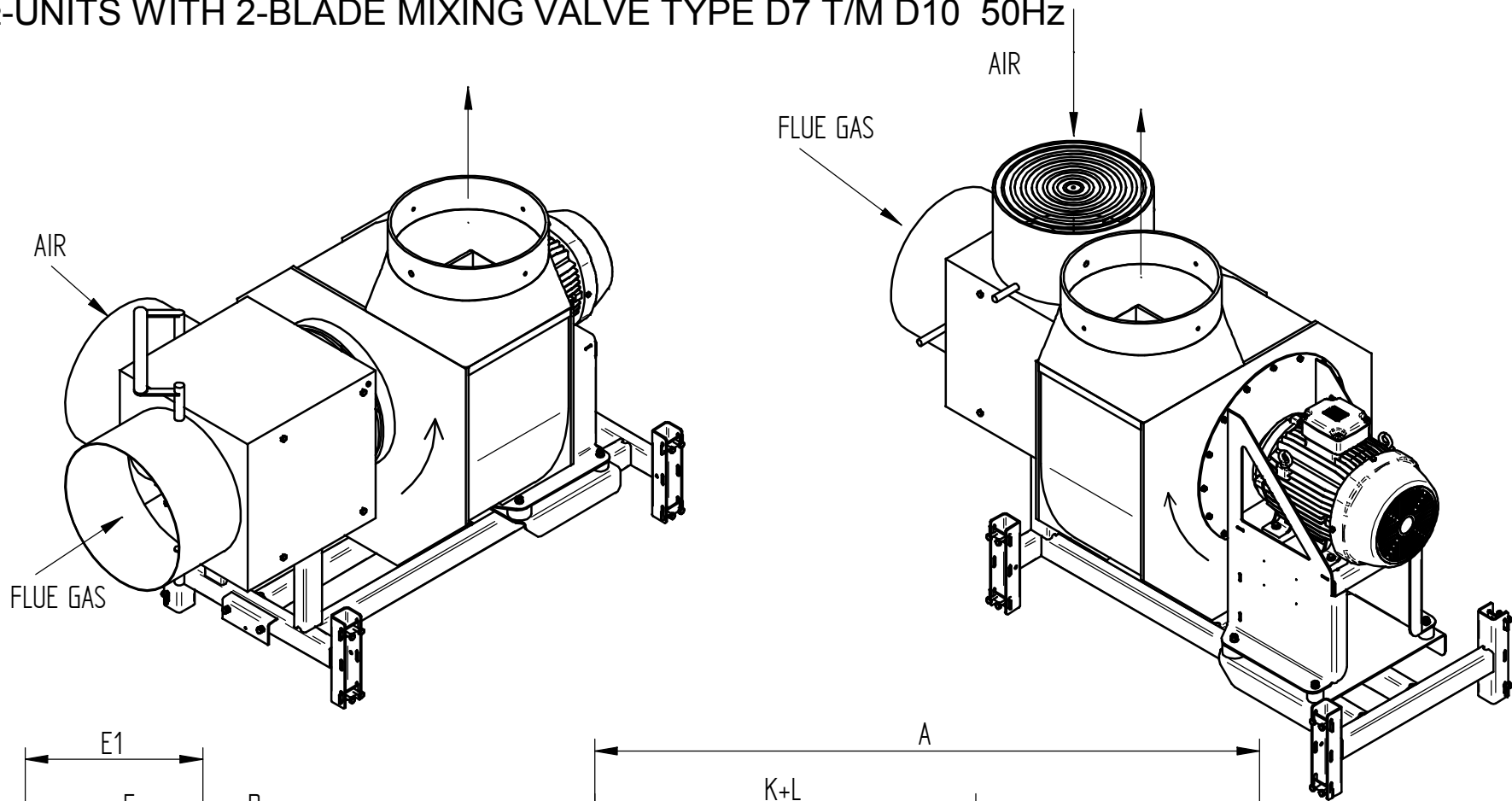
Tel: +31 (0)30-6563844
Fax: +31 (0)30-6563564
info@vandijkheating.nl
www.vandijkheating.nl

4.11
E
11-07

CO₂-DOSING

TECHNICAL DATA CO₂-DOSING UNITS

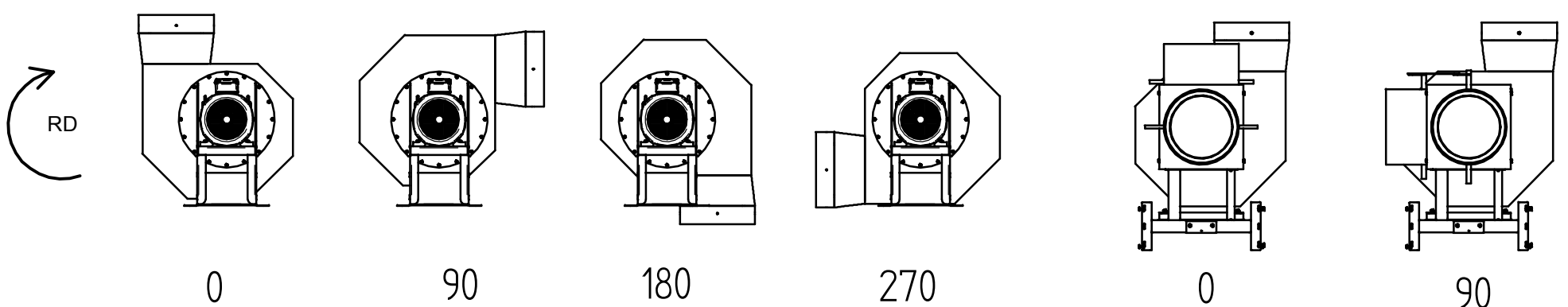
CO₂-UNITS WITH 2-BLADE MIXING VALVE TYPE D7 T/M D10 50Hz



Type	A	B	C	D	E	E1	F	G	H	J	K+L	N	ØZ=ØP	R
D7 SL500-150 K2	1926	641	915	324	403	550	657	120	320	320	1162	1357	500	550
D8 SL500-220 K2	2053	695	1000	335	440	550	701	120	395	395	1181	1467	500	550
D9 SL630-300 K2	2392	850	960	324	440	680	853	120	520	500	1376	1739	630	680
D10 SL630-370 K2	2396	781	1105	400	448	680	853	120	520	500	1398	1739	630	680

blower position

valve position



Van Dijk Heating b.v.
Regulierering 7
3981 LA Bunnik
Postbus 29
3980CA Bunnik (NL)



Tel: +31 (0)30-6563844
Fax: +31 (0)30-6563564
info@vandijkheating.nl
www.vandijkheating.nl

4.11
E
11-07

CO₂-DOSING